

**HUMBOLDT COUNTY BUILDING DEPARTMENT
CITY OF WINNEMUCCA BUILDING DEPARTMENT
ACCESSIBLE RESTROOM REQUIREMENTS**

Referenced Code: ICC/ANSI A117.1-2017 – Accessible and Usable Buildings and Facilities & 2018 International Building Code

Toilet and Bathing Rooms (Section 603)

General: Accessible toilet and bathing rooms shall comply with Section 603.

Overlap: Clear floor spaces, clearances at fixtures, maneuvering clearances at doors, and turning spaces shall be permitted to overlap. Section 301.2

Turning Space:

Circular space. (304.3.1)

New buildings and facilities: in new buildings & facilities, the turning space shall be a circular space with a 67-inch minimum diameter. Overlap shall be permitted to include knee & toe clearance complying with Section 306. Where the turning space includes knee & toe clearance under an obstruction, the overlap shall comply with all of the following.

1. The depth of the overlap shall not be more than 10 inches and,
2. The depth shall not exceed the depth of the knee and toe clearances provided, and
3. The overlap shall be permitted only within the turning circle area shown shaded in Figure 304.3.1

Existing buildings and facilities (304.3.1.2): In existing buildings & facilities, the turning space shall be a circular space with a 60 inch minimum diameter. Turning spaced shall be permitted to include knee & toe clearance complying with Section 306.

T-Shaped spaces. (304.3.2)

New buildings and facilities (304.3.2.1): In new buildings and facilities, the turning space shall be T-shaped space complying with one of the following/

1. A T-shaped space, clear of obstructions, that fits within an area 68 inches wide and 60 inches deep with two arms and one base that are all 36 inches minimum in width. Each arm shall extend 16 inches minimum from each side of the base located opposite the other, and the base shall extend 24 inches minimum from the arms. At the intersection of each arm and the base, the interior corners shall be chamfered for 8 inches minimum along both the arm and along the base.
2. A T-shaped space, clear of obstructions, that fits within an area 64 inches wide and 60 inches deep, with two arms 38 inches minimum in width and a base 42 inches minimum in width. Each arm shall extend 11 inches minimum from each side of the base, located opposite the other, and the base shall extend 22 inches minimum from each arm.
3. A T-shaped space, clear of obstructions, 64 inches wide and 60 inches deep, with two arms and one base 40 inches minimum in width. Each arm shall extend 12 inches minimum from each side of the base and the base shall extend 20 inches minimum from each air.

Overlap (3041.3.2.11) Turning spaces shall be permitted to include knee & toe clearance complying with Section 306 of either base or one arm. For option 1, the base or arm in the portion beyond the chamfer.

Existing buildings and facilities (304.3.2.2). In existing buildings & facilities, the turning space shall be a T shaped space within 60 inch minimum square, with arms & base 36 inches minimum in width. Each arm of the T shall be clear of obstructions 12 inches minimum in each direction, and the base shall be clear of obstructions 24 inches minimum.

Overlap (304.3.2.2.1). Turning spaces shall be permitted to include knee & toe clearance complying with Section 306 only at end of either the base or one arm.

Clear Floor Space: (305)

Floor surfaces (305.2). Floor surface of a clear floor space shall comply with Section 302. Changes in level shall not be permitted within the clear floor space.

New buildings and facilities (305.3.1). In new buildings & facilities, the clear floor space shall be 52" minimum in length & 30 inches minimum in width.

Existing buildings and facilities (305.3.2). In existing buildings & facilities, the clear floor space shall be 48 inches minimum in length and 30 inches minimum in width.

Position (305.5). Unless otherwise specified, clear floor spaces shall be positioned either forward or parallel approach to an element

Toe Clearance:

Space beneath an element between the floor and 9" above the floor shall be considered toe clearance and comply with section 306.2. Section 306.2.1

Maximum depth: Toe clearance shall be permitted to extend 25" maximum under element. Section 306.2.2

Minimum depth: Where toe clearance is required at an element as part of a clear floor space, the toe clearance shall extend 17" minimum beneath the element. Section 306.2.3

Additional Clearance: Space extending greater than 6" beyond the available knee clearance at 9" above the floor shall not be considered toe clearance. Section 306.2.4

Width: Toe clearance shall be 30" minimum in width. Section 306.2.5

Knee Clearance:

Space beneath an element between 9" and 27" above the floor shall be considered knee clearance and shall comply with Section 306.3. Section 306.3.1

Maximum depth: Knee clearance shall be permitted to extend 25" maximum under an element at 9" above the floor. Section 306.3.2

Minimum depth: Where knee clearance is required beneath an element as part of a clear floor space, the knee clearance shall be 11" minimum in depth at 9" above the floor, and 8" minimum in depth at 27" above the floor. Section 306.3.3

Clearance reduction: Between 9" and 27" above the floor, the knee clearances shall be permitted to be reduced at a rate of 1" in depth for each 6" in height. Section 306.3.4

Width: Knee clearance shall be 30" minimum in width. Section 306.3.5

Reach Ranges:

Forward Reach – 308.2

When forward reach is unobstructed, the high forward reach shall be 48" maximum and the low forward reach shall be 15" minimum above the floor. Section 308.2.1

Where a high forward reach is over an obstruction, the clear floor space complying with Section 305 and knee & toe clearance complying with Section 303 shall extend beneath the element for a distance not less than the required reach depth over the obstruction. The high forward reach shall be 48 inches maximum above the floor where the reach depth over the obstruction is 20 inches maximum. The high forward reach shall be 44 inches maximum above the floor where the reach depth over the obstruction is greater than 20 inches and not more than 25 inches maximum. (308.2.2)

Side Reach – 308.3

Where a clear floor space complying with Section 305 allows a parallel approach to an element and the edge of the clear floor space is 10" maximum for the element, the high side reach shall be 48" maximum and the low side reach shall be 15" minimum above the floor (Section 308.3.1). Exception (1) – Existing elements that are not altered shall be permitted at 54" maximum above the floor. Exception (2) Operable parts on fuel dispensers installed on existing curbs shall be permitted at 54 inches maximum above the floor.

Where a clear floor space complying with Section 305 allows a parallel approach to an element and the high side reach is over an obstruction, the height of the obstruction shall be 34" maximum above the floor and the depth of the obstruction shall be 24" maximum. The high side reach shall be 48" maximum above the floor for a reach depth of 10" maximum. Where the reach depth exceeds 10" the high side reach shall be 46" maximum above the floor for a reach depth of 24" maximum. (308.3.2)

Operable Parts: A clear floor space complying with Section 305 shall be provided. Section 309.2

Operable parts shall be placed within one or more of the reach ranges specified in Section 308. Section 309.3

Operable parts shall be operable with one hand and shall not require tight grasping, pinching, or twisting of the wrist. The force required to activate operable parts shall be 5.0 lbs maximum. (309.4) See exceptions.

Door Swing: Doors shall not swing into clear floor space or clearance for any fixtures. (603.2.2) (see exception)

Mirrors: Where mirrors are located above lavatories, a mirror shall be located over the accessible lavatory and shall be mounted with the bottom edge of the reflecting surface 40" maximum above the floor.

Where mirrors are located above countertops that do not contain lavatories, the mirror shall be mounted with the bottom edge of the reflecting surface 40" maximum above the floor. (603.3)

Coat Hooks and Shelves: Coat hooks shall be located within one of the reach ranges specified in Section 308. Shelves shall be 40 inches minimum and 48 inches maximum above the floor. (603.4)

Diaper Changing Tables: Diaper changing tables shall comply with Sections 309 and 902. Section 603.5

Operable Parts: Operable parts on towel dispensers and hand dryers serving lavatories shall comply with Section 606 & Table 603.6. Section 603.6

Water Closets and Toilet Compartments (Section 604)

General: Accessible water closets and toilet compartments shall comply with Section 604. Compartments containing more than one plumbing fixture shall comply with Section 603. Wheelchair accessible compartments shall comply with Section 604.9. Ambulatory accessible compartments shall comply with Section 604.10.

Location: The water closet shall be located with a wall or partition to the rear and one side. The centerline of the water closet shall be 16" minimum to 18" maximum from the side wall or partition. Water closets located in ambulatory accessible compartments specified in Section 604.10 shall have the centerline of the water closet 17" minimum to 19" maximum from the wall or partition. (604.2)

Size: A clearance around a water closet 60" minimum, measured perpendicular from the sidewall, and 56" minimum, measured perpendicular from the rear wall shall be provided. (604.3.1 & 604.3.2)

Overlap: The required clearance around the water closet shall be permitted to overlap the water closet, associated grab bars, paper dispensers, sanitary napkin receptacles, coat hooks, shelves, accessible routes, clear floor space at other fixtures and the turning space. No other fixtures or obstructions shall be within the required water closet clearance. (604.3.3)

Height: The height of water closet seats shall be 17" minimum and 19" maximum above the floor, measured to the top of the seat. Seats shall not be sprung to return to a lifted position. (604.4) (see exceptions)

Grab Bars: Grab bars for water closets shall comply with Section 609 and shall be provided in accordance with Section 604.5.1 and 604.5.2. Grab bars shall be provided on the rear wall and on the side closets to the water closet. (604.5)

Fixed side-wall grab bars (604.5.1). Fixed side-wall grab bars shall include a horizontal bar complying with Sections 604.5.1.1 and a vertical grab bar complying with Section 604.5.1.2. The vertical grab bar at water closet primarily for children's use shall comply with Section 609.4.2)

Horizontal grab bar (604.5.1.1). A horizontal grab bar 42 inches minimum in length shall be located 12 inches maximum from the rear wall and extend 54 inches minimum from the rear wall.

Vertical grab bar (604.5.1.2). A vertical grab bar 18 inches minimum in length shall be mounted with the bottom of the bar located 39 inches minimum and 41 inches maximum above the floor, and the center line of the bar located 39 inches minimum and 41 inches maximum from the rear wall.

Rear wall grab bars (604.5.2). The fixed rear wall grab bar shall (1) be 36 inches minimum in length; (2) be located 6 inches maximum from the side wall, and (3) extend 42 inches minimum from the side wall. See exceptions.

Flush Controls: Flush controls shall be hard operated or automatic. Hand operated flush controls shall comply with Section 309. Flush controls shall be located on the open side of the water closet. (604.6)

Dispensers: Toilet paper dispensers shall comply with Section 309.4 & 609.3. Dispensers shall not be of a type that control delivery, or do not allow continuous paper flow. (604.7)

Where the dispenser is located above the grab bar, the outlet of the dispenser shall be located within an area 24" minimum and 36" maximum from the rear wall. Where the dispenser is located below the grab bar, the outlet of the dispenser shall be located within an area 24" minimum and 42" maximum from the rear wall. (See exceptions).

Wheelchair Accessible Compartments (Section 604.9)

Size: The minimum area of a wheelchair accessible compartment shall be 60" minimum in width measured perpendicular to the side wall, and 56" minimum in depth for wall hung water closets, and 59" minimum in depth for floor mounted water closets measured perpendicular to the rear wall. (604.9.2.1)

Doors: Toilet compartment doors, including door hardware, shall comply with Section 404. The door shall be self-closing. A door pull complying with Section 404.2.6 shall be placed on both sides of the door near the latch. Wheelchair accessible toilet compartment doors shall not swing into the required minimum area of the compartment. (604.9.3) See exceptions. Door opening location. The farthest edge of the wheelchair accessible toilet compartment door opening shall be located in the front wall or partition or in the side wall or partition as required by Table 604.9.3.1. (604.9.3.1)

Approach: Wheelchair accessible compartments shall be arranged for left-hand or right-hand approach to the water closet. (604.9.4)

Toe Clearance: The front partition and at least one side partition shall provide a toe clearance of 12" minimum above the floor and extending 8" beyond the compartment side face of the partition, exclusive of partition support members. (604.9.5.1) (See exceptions)

Grab Bars: Grab bars shall comply with Section 609. Side wall grab bars complying with Section 604.5.1 located on the wall closest to the water closet, and rear wall grab bar complying with Section 604.5.2 shall be provided. (604.9.6)

Ambulatory Accessible Compartments (Section 604.10)

Size: The minimum area of an ambulatory accessible compartment shall be 60" minimum in depth and a width of 35 inches minimum and 37 inches maximum. (609.10.2)

Doors: Toilet compartment doors, including door hardware, shall comply with Section 40. The door shall be self-closing. A door pull complying with Section 404.2.6 shall be placed on both sides of the door near the latch. Compartment doors shall not swing into the required minimum area of the compartment. (604.10.3) (See exceptions)

Grab Bars: Grab bars shall comply with Section 609. Side wall grab bars complying with Section 604.5.1 shall be provided on both sides of the compartment. (604.10.4)

Urinals (Section 605)

Height: Urinals shall be of the stall type or shall be of the wall hung type with the rim at 17 inches maximum above the floor. Urinals shall be 13 ½" minimum in depth measured from the outer face of the urinal rim to the wall. (605.2)

Clear Floor Space: A clear floor space complying with Section 305, positioned for forward approach, shall be provided. (605.3)

Flush Control: Flush controls shall be hand operated or automatic. Hand operated flush controls shall comply with Section 309. (605.4)

Lavatories and Sinks (Section 606)

Clear Floor Space: A clear floor space complying with Section 305.3, positioned for forward approach, shall be provided. Knee and toe clearance complying with Section 306 shall be provided. The dip of the overflow shall not be considered in determining knee and toe clearances. (606.2)

Height: The front of lavatories and sinks shall be 34" maximum above the floor, measured to the higher of the rim or counter surface. (606.3)

Faucets: Faucets shall comply with Section 309. Hand-operated metering faucets shall remain open for 10 seconds minimum. (606.4) (See exceptions)

Lavatories with Enhanced Reach Range: Where enhanced reach range is required at lavatories, faucets and soap dispenser controls shall have a reach depth of 11" maximum. Water & soap outlets shall be provided with a reach depth of 11 inches maximum. The lavatory shall be 34" maximum above the floor measured to the higher of the rim or counter surface. (606.5)

Exposed Pipes and Surfaces: Water supply and drainpipes under lavatories and sinks shall be insulated or otherwise configured to protect against contact. There shall be no sharp or abrasive surfaces under lavatories and sinks. (606.6)

Signs (Section 703 – See Section for Additional Requirements)

Braille

Position: Braille shall be below the corresponding text. If text is multilined, braille shall be placed below entire text. Braille shall be separated by 3/8" minimum from any other raised characters & 3/8" minimum from raised borders and decorative elements. (703.4.4)

Mounting Height: Braille shall be 48" minimum and 60" maximum above the floor, measured to the baseline of the braille cells. (703.1.5)

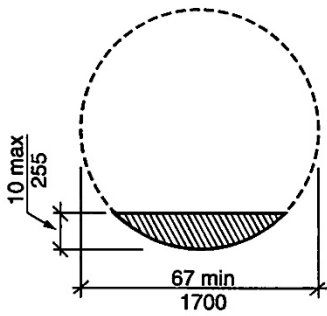
Pictograms:

Field: Pictograms shall have a field 6" minimum in height. Characters or braille shall not be located in the pictogram field. (703.5.2)

Finish and Contrast: Pictograms and their fields shall have a nonglare finish. Pictograms shall contrast with their fields, with either a light pictogram on a dark field or a dark pictogram on a light field. (703.5.3)

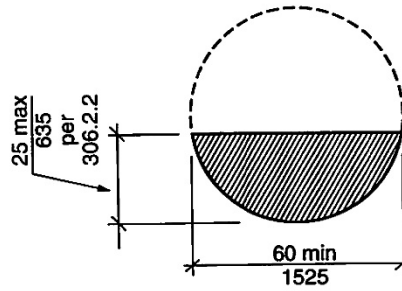
Nonglare finish. The glare from coverings and the finish of pictograms and their fields shall not exceed 19 gloss units as measured on a 60-degree gloss meter. (703.5.3.1)

Character contrast. Characters shall contrast with their background, with either light characters on a dark background or dark characters on a light background. (703.5.3.2)



Overlap of knee and toe clearance

FIGURE 304.3.1.1
CIRCULAR TURNING SPACE - NEW BUILDINGS
SIZE AND OVERLAP



Overlap of knee and toe clearance

FIGURE 304.3.1.2
CIRCULAR TURNING SPACE - EXISTING BUILDINGS - SIZE
AND OVERLAP

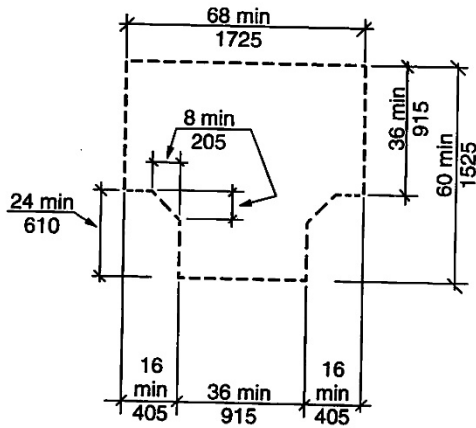


FIGURE 304.3.2.1(A)
T-SHAPED TURNING SPACE
NEW BUILDINGS - OPTION 1

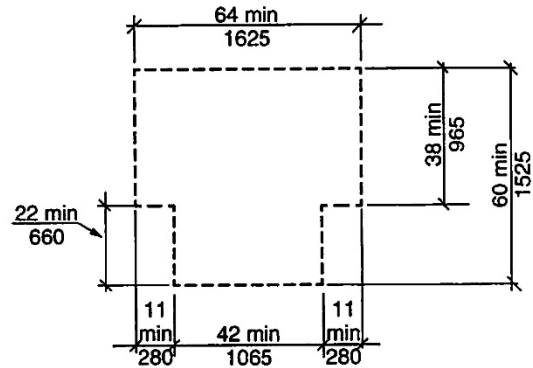


FIGURE 304.3.2.1(B)
T-SHAPED TURNING SPACE
NEW BUILDINGS - OPTION 2

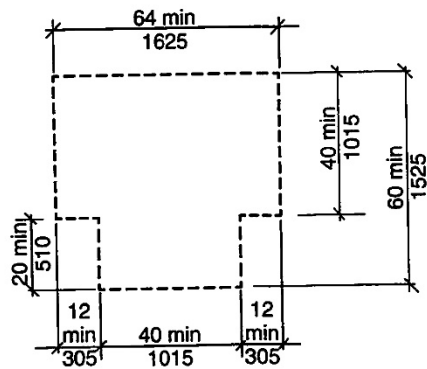


FIGURE 304.3.2.1(C)
T-SHAPED TURNING SPACE
NEW BUILDINGS - OPTION 3

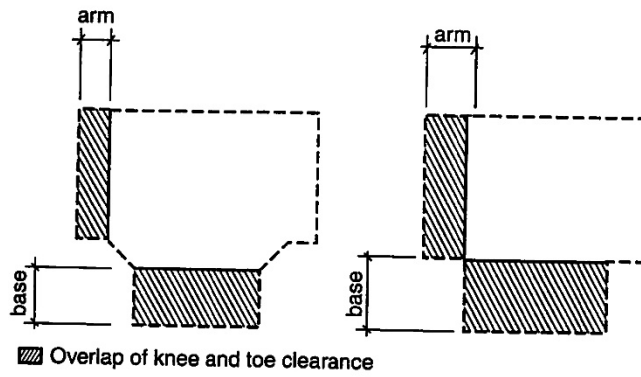


FIGURE 304.3.2.1.1
T-SHAPED TURNING SPACE
NEW BUILDINGS - OVERLAP

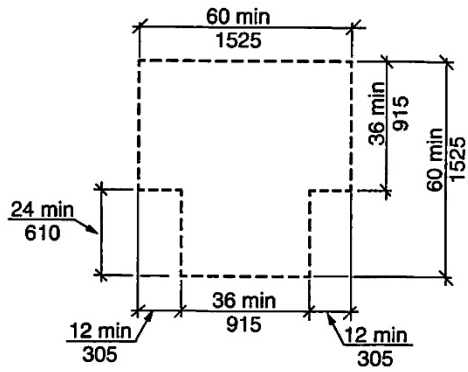


FIGURE 304.3.2.2
T-SHAPED TURNING SPACE
EXISTING BUILDINGS - SIZE

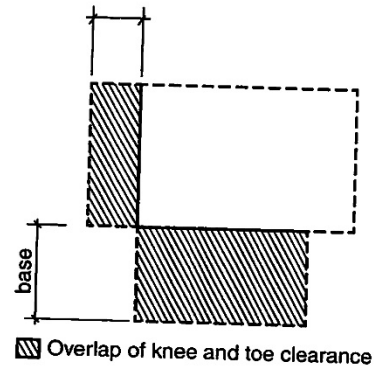


FIGURE 304.3.2.2.1
T-SHAPED TURNING SPACE - EXISTING BUILDINGS
OVERLAP

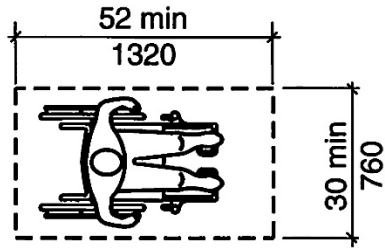


FIGURE 305.3.1
SIZE OF CLEAR FLOOR SPACE - NEW BUILDINGS

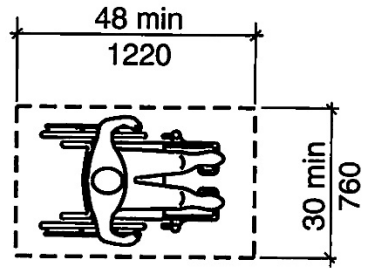


FIGURE 305.3.2
SIZE OF CLEAR FLOOR SPACE - EXISTING BUILDINGS

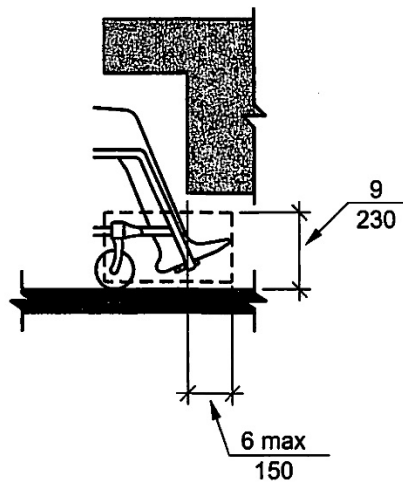


FIGURE 306.2(A)
TOE CLEARANCE - ELEVATION

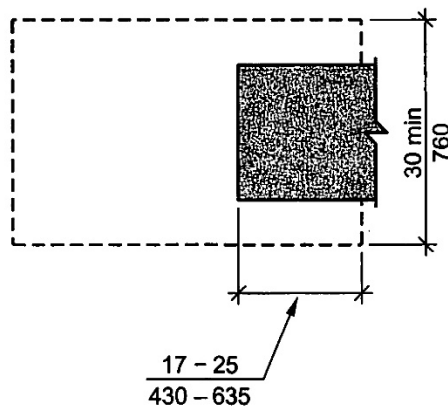


FIGURE 306.2(B)
TOE CLEARANCE - PLAN

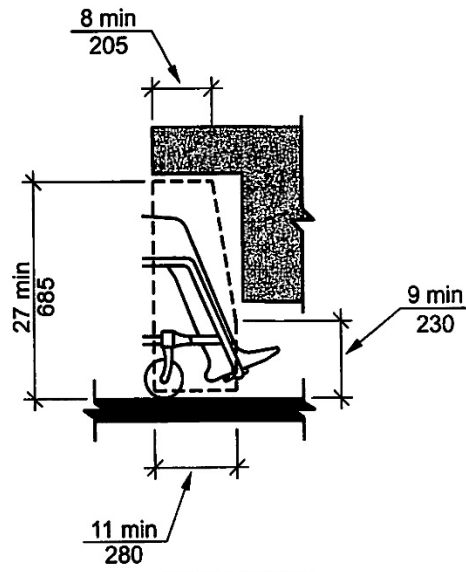


FIGURE 306.3(A)
KNEE CLEARANCE - ELEVATION

306.3.2 Maximum depth. Knee clearance shall be per-

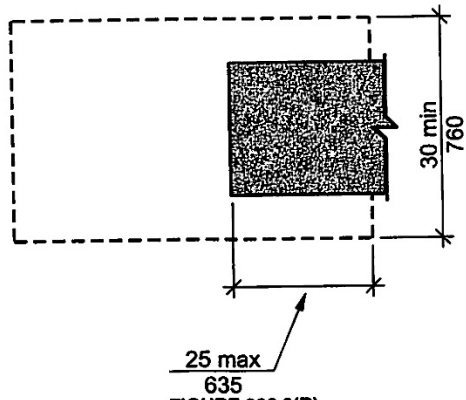


FIGURE 306.3(B)
KNEE CLEARANCE - PLAN

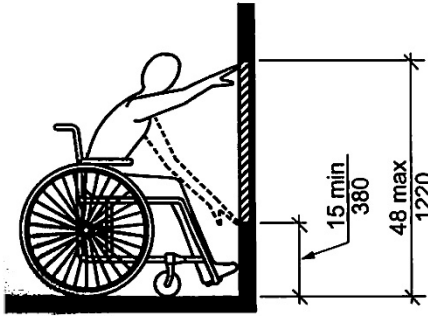
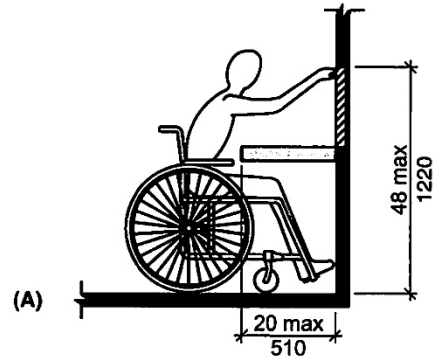
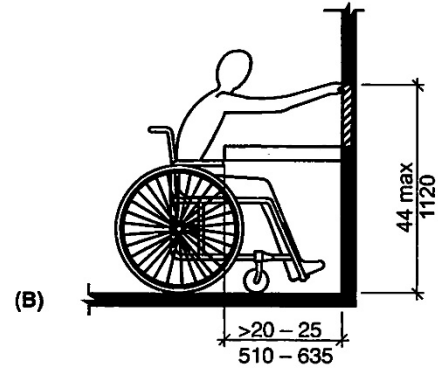


FIGURE 308.2.1
UNOBSTRUCTED FORWARD REACH



(A)



(B)

FIGURE 308.2.2
OBSTRUCTED HIGH FORWARD REACH

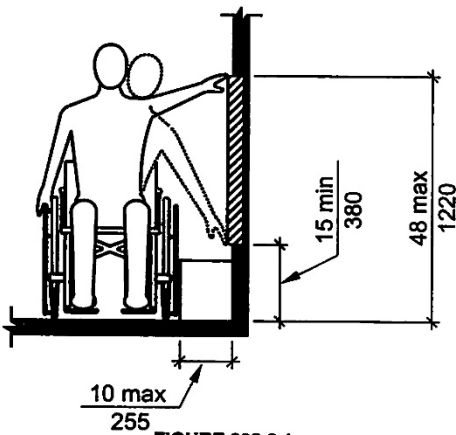


FIGURE 308.3.1
UNOBSTRUCTED SIDE REACH

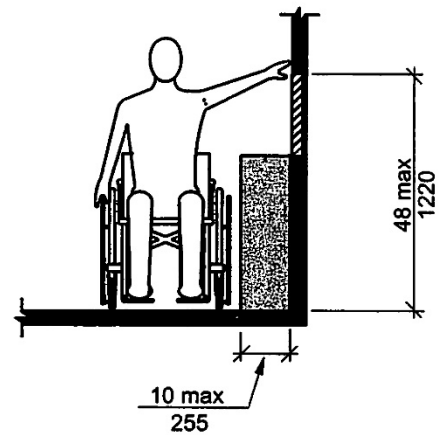


FIGURE 308.3.2(A)
OBSTRUCTED HIGH SIDE REACH

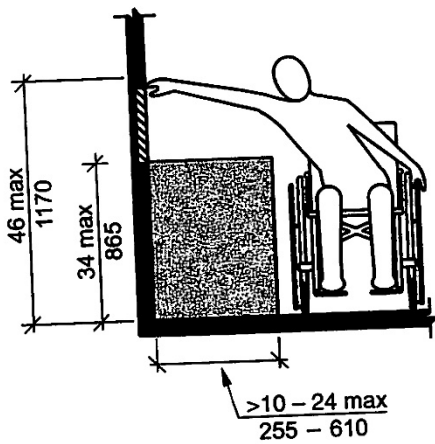
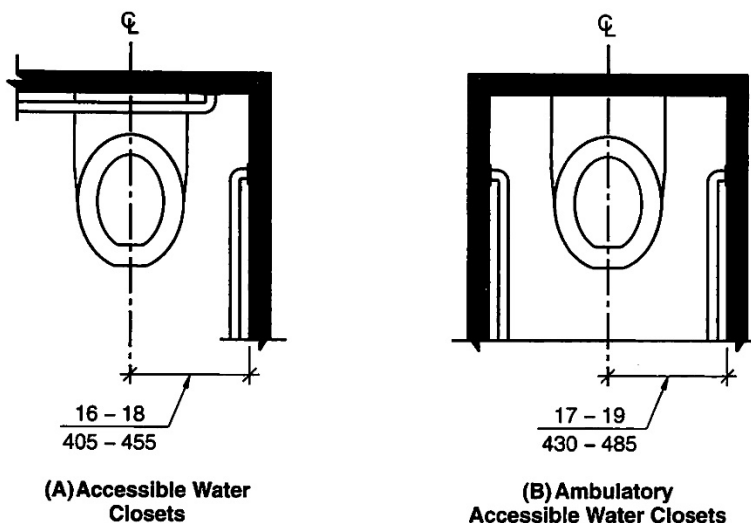


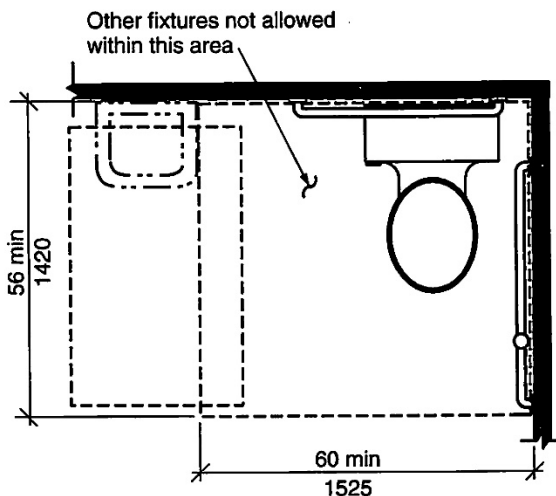
FIGURE 308.3.2(B)
OBSTRUCTED HIGH SIDE REACH

**TABLE 603.6
MAXIMUM REACH DEPTH AND HEIGHT**

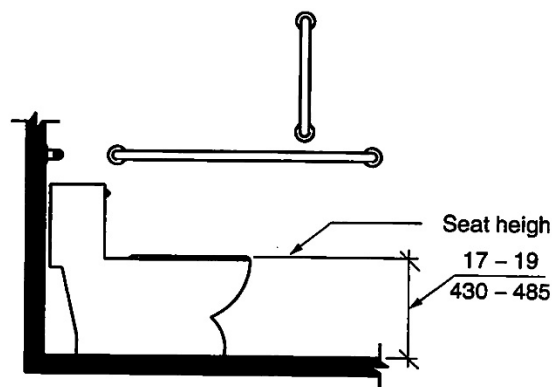
Maximum Reach Depth	0.5 inch (13 mm)	2 inches (51 mm)	5 inches (125 mm)	6 inches (150 mm)	9 inches (230 mm)	11 inches (280 mm)
Maximum Reach Height	48 inches (1220 mm)	46 inches (1170 mm)	42 inches (1065 mm)	40 inches (1015 mm)	36 inches (915 mm)	34 inches (865 mm)



**FIGURE 604.2
WATER CLOSET LOCATION**

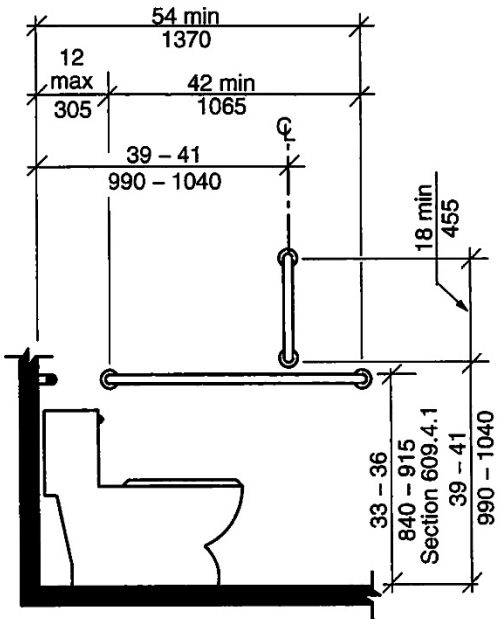


**FIGURE 604.3
SIZE OF CLEARANCE FOR WATER CLOSET**

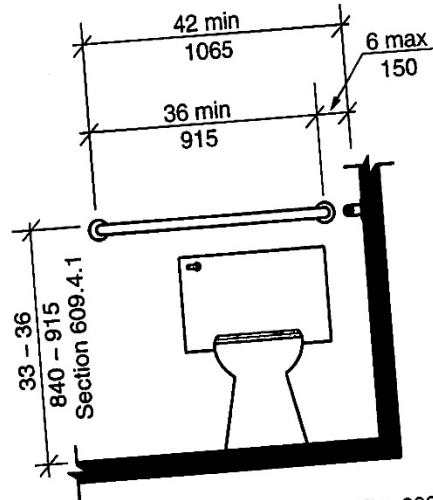


Note: For children's dimensions see Fig. 604.11.4

**FIGURE 604.4
WATER CLOSET SEAT HEIGHT**



Note: For children's dimensions see Fig. 609.4.2
FIGURE 604.5.1
SIDE-WALL GRAB BAR FOR WATER CLOSET



Note: For children's dimensions see Fig. 609.4.2
FIGURE 604.5.2
REAR-WALL GRAB BAR FOR WATER CLOSET

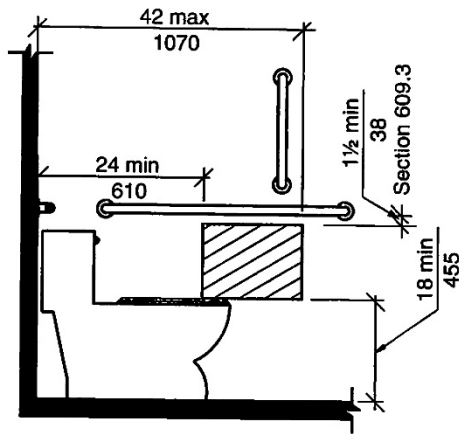


FIGURE 604.7.1(A)
DISPENSER OUTLET LOCATION - PROTRUDING DISPENSER
BELOW GRAB BAR

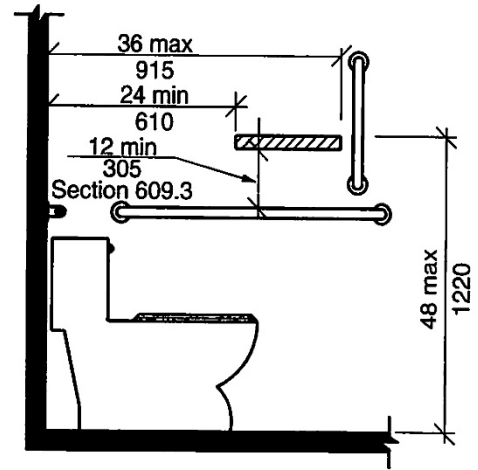
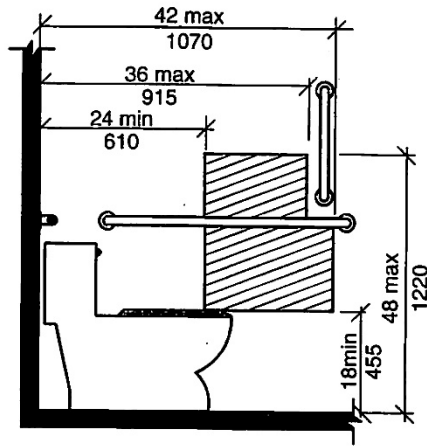


FIGURE 604.7.1(B)
DISPENSER OUTLET LOCATION
PROTRUDING DISPENSER ABOVE GRAB BAR



Note: For children's dimensions see Fig. 604.11.7 dispenser outlet location

FIGURE 604.7.1(C)
DISPENSER OUTLET LOCATION
RECESSED DISPENSER

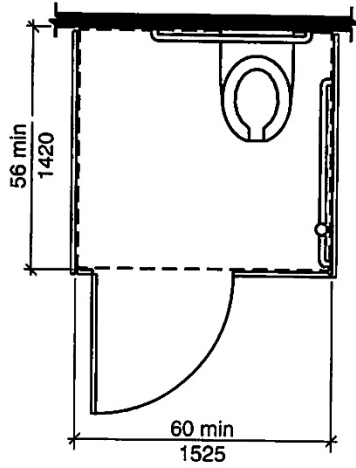


FIGURE 604.9.2(A)
WHEELCHAIR TOILET COMPARTMENTS
WALL HUNG CLOSET, ADULT

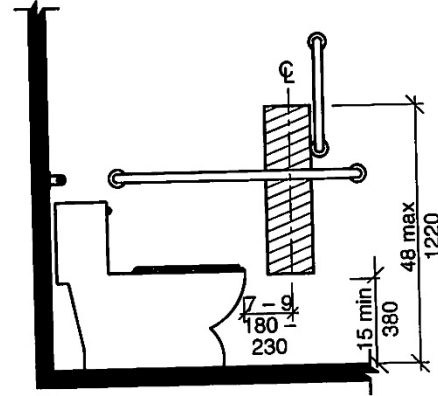


FIGURE 604.7.1(D)
DISPENSER OUTLET LOCATION
DISPENSER IN FRONT OF WATER CLOSET - EXCEPTION

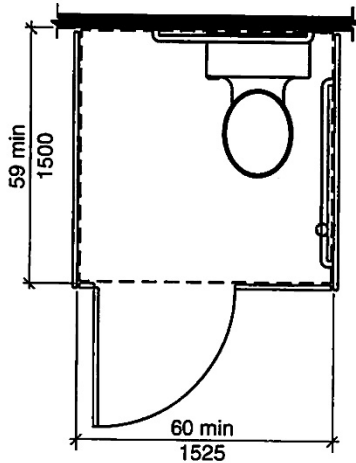
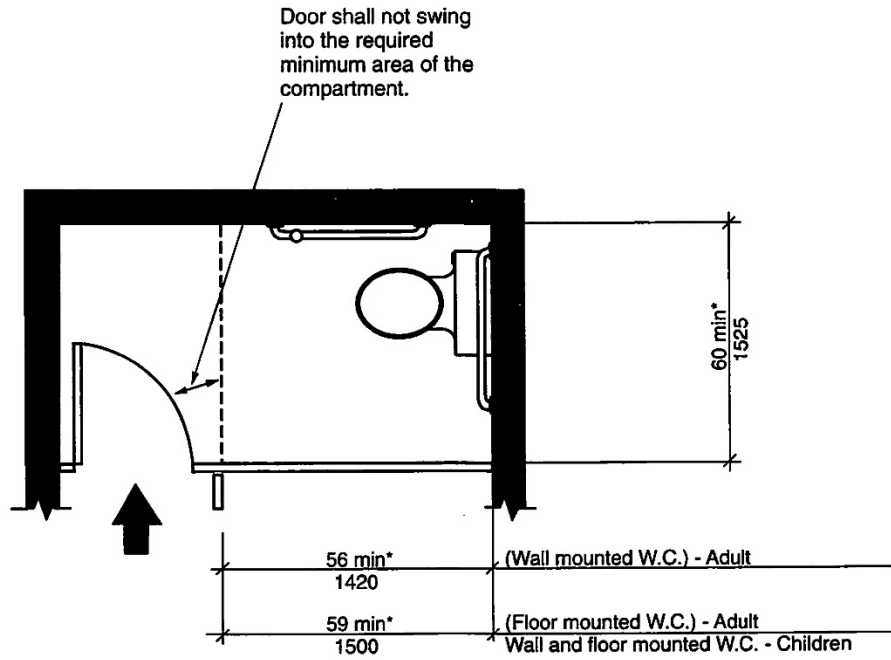
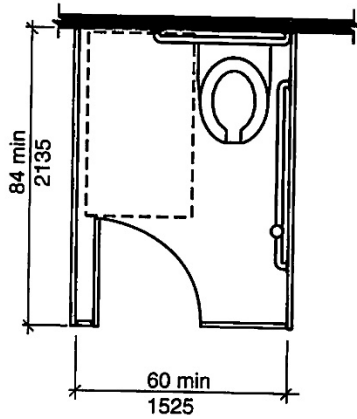


FIGURE 604.9.2(B)
WHEELCHAIR TOILET COMPARTMENTS
FLOOR MOUNTED WATER CLOSET, ADULT - WALL HUNG
AND FLOOR MOUNTED WATER CLOSET, CHILDREN



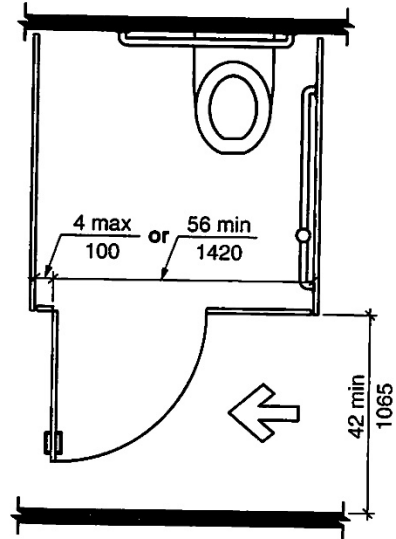
* Toilet compartment size per
Sections 604.9.2.1 and 604.9.2.2

FIGURE 604.9.3(A)
WHEELCHAIR TOILET COMPARTMENT DOORS
DOOR SWINGING INTO THE WHEELCHAIR TOILET COMPARTMENT

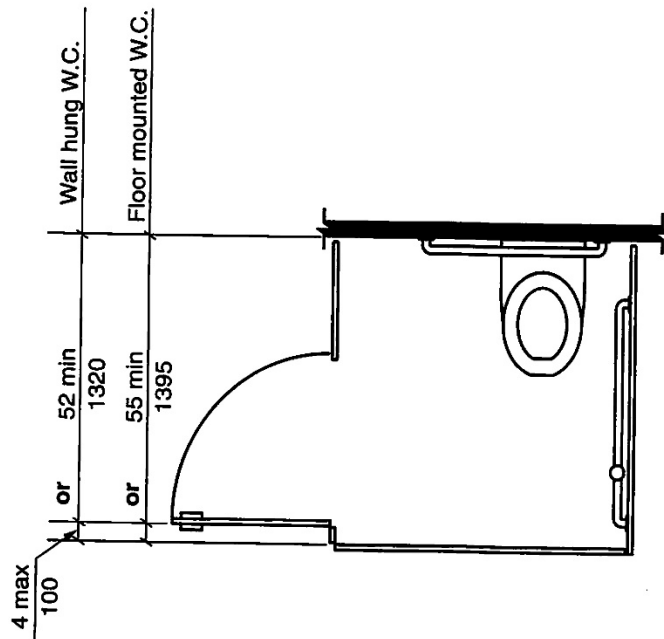


* Toilet compartment size per Section 604.9.2.3

**FIGURE 604.9.3(B)
WHEELCHAIR TOILET COMPARTMENT DOORS
EXCEPTION 3 - ALTERNATE WHEELCHAIR COMPARTMENT**



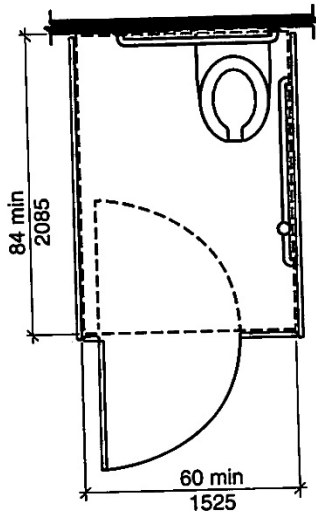
**FIGURE 604.9.3.1(A)
WHEELCHAIR TOILET COMPARTMENT DOOR OPENING
LOCATION - DOOR SWINGING IN ON FRONT WALL OF
PARTITION**



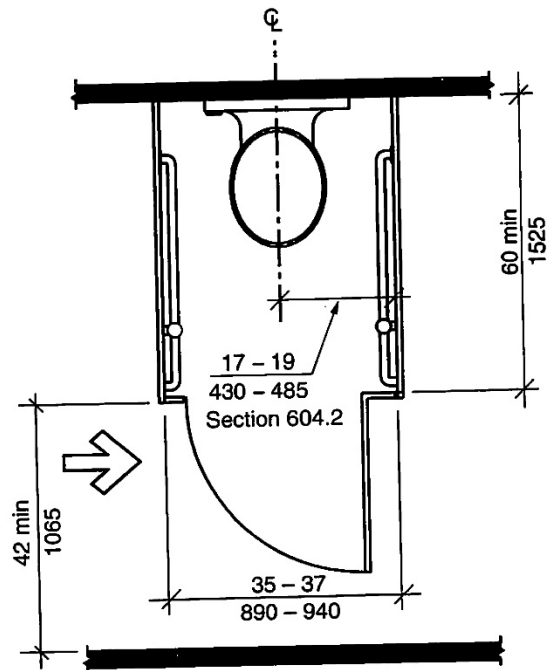
**FIGURE 604.9.3.1(B)
WHEELCHAIR TOILET COMPARTMENT DOOR OPENING LOCATION
DOOR SWINGING IN ON SIDE WALL OF PARTITIONS**

TABLE 604.9.3.1—DOOR OPENING LOCATION

Door Opening Location	Measured From	Dimension
Front Wall or Partition	From the side wall or partition closest to the water closet	56 inches (1420 mm) minimum
	or	
Side Wall or Partition Wall-Hung Water Closet	From the side wall or partition farthest from the water closet	4 inches (100 mm) maximum
	or	
Side Wall or Partition Floor-Mounted Water Closet	From the rear wall	52 inches (1320 mm) minimum
	or	
Side Wall or Partition Floor-Mounted Water Closet	From the front wall or partition	4 inches (100 mm) maximum
	or	



**FIGURE 604.9.2.3
WHEELCHAIR TOILET COMPARTMENTS
ALTERNATE WHEELCHAIR TOILET COMPARTMENT**



**FIGURE 604.10.1
AMBULATORY COMPARTMENT**

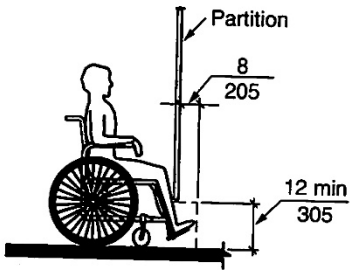


FIGURE 604.9.5(A)
TOE CLEARANCE - ELEVATION

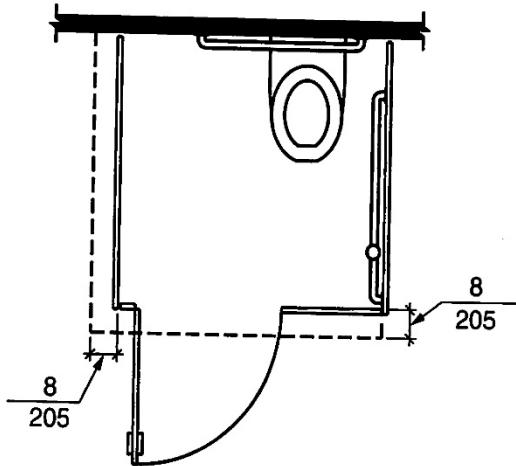


FIGURE 604.9.5(B)
TOE CLEARANCE - PLAN

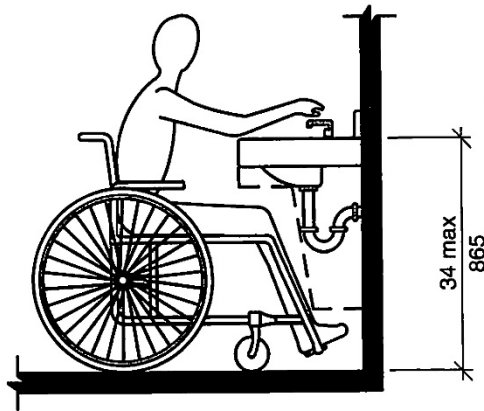


FIGURE 606.3
HEIGHT OF LAVATORIES AND SINKS

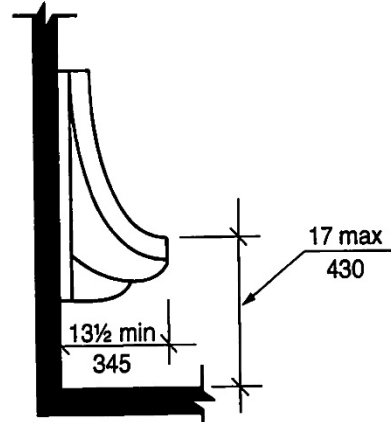


FIGURE 605.2(A)
HEIGHT AND DEPTH OF URINAL
WALL HUNG TYPE

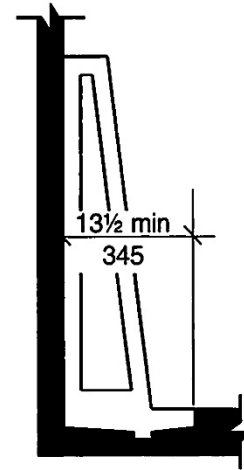


FIGURE 605.2(B)
HEIGHT AND DEPTH OF URINAL
STALL TYPE

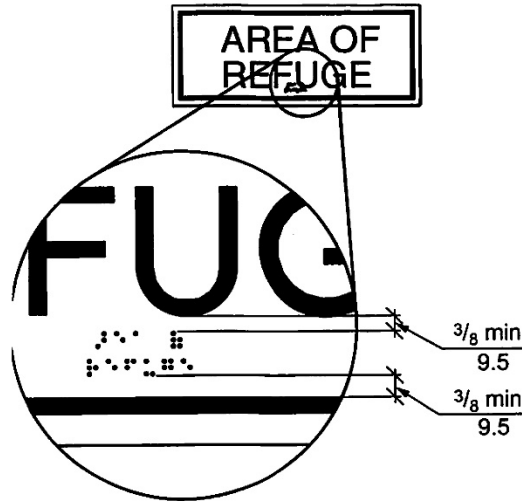
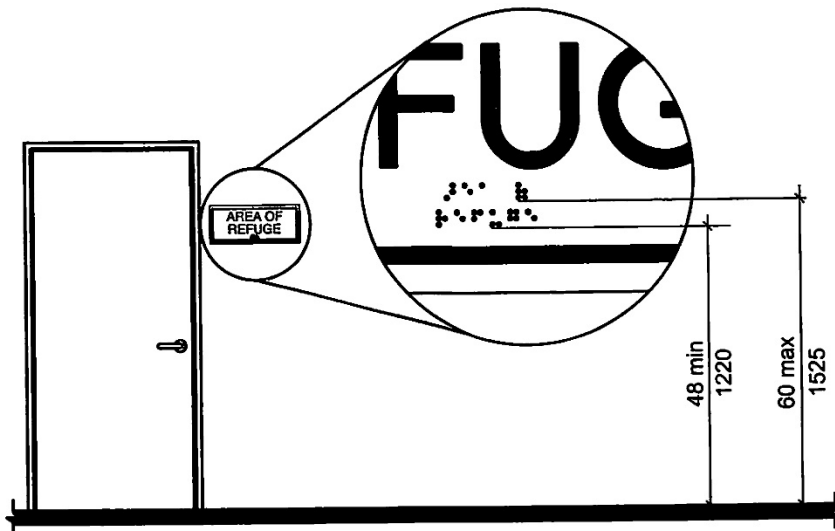


FIGURE 703.4.4
POSITION OF BRAILLE



Note: For raised character mounting height see Section 703.3.10

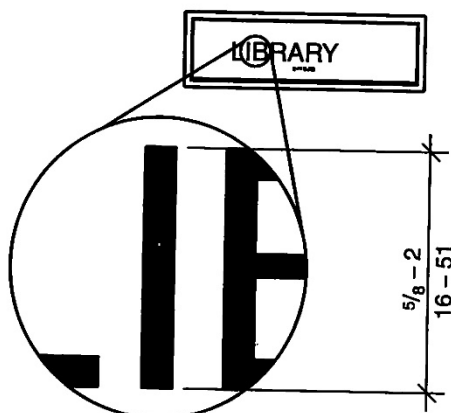
FIGURE 703.4.5
HEIGHT OF BRAILLE CHARACTERS ABOVE FLOOR

TABLE 703.2.4—VISUAL CHARACTER HEIGHT

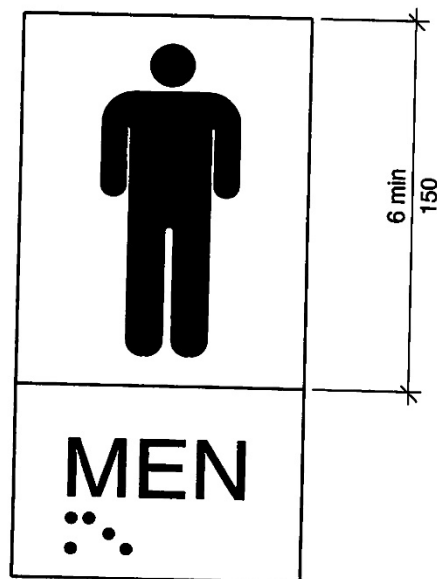
Height above Floor to Baseline of Character ¹	Horizontal Viewing Distance	Minimum Character Height
40 inches (1015 mm) to less than or equal to 70 inches (1780 mm)	Less than 6 feet (1830 mm)	$\frac{5}{8}$ inch (16 mm)
	6 feet (1830 mm) and greater	$\frac{5}{8}$ inch (16 mm), plus $\frac{1}{8}$ inch (3.2 mm) per foot (305 mm) of viewing distance above 6 feet (1830 mm)
Greater than 70 inches (1780 mm) to less than or equal to 120 inches (3050 mm)	Less than 15 feet (4570 mm)	2 inches (51 mm)
	15 feet (4570 mm) and greater	2 inches (51 mm), plus $\frac{1}{8}$ inch (3.2 mm) per foot (305 mm) of viewing distance above 15 feet (4570 mm)
Greater than 120 inches (3050 mm)	Less than 21 feet (6400 mm)	3 inches (75 mm)
	21 feet (6400 mm) and greater	3 inches (75 mm), plus $\frac{1}{8}$ inch (3.2 mm) per foot (305 mm) of viewing distance above 21 feet (6400 mm)

1. The vertical height is measured from the floor of the viewing position to the baseline of the highest line of characters.

1.2 MINIMUM CHARACTER HEIGHT



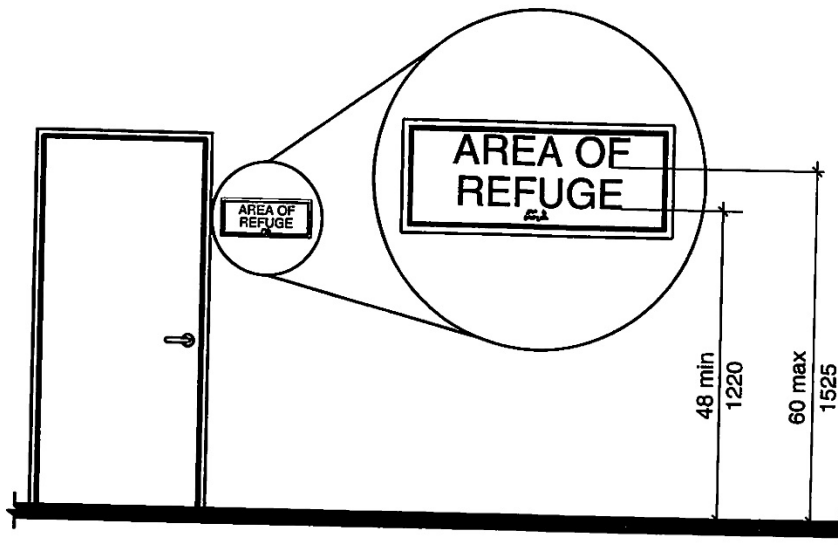
**FIGURE 703.3.5
CHARACTER HEIGHT**



**FIGURE 703.5
PICTOGRAM FIELD**



FIGURE 703.6.3.1
INTERNATIONAL SYMBOL FOR ACCESSIBILITY



Note: For braille character mounting height see Section 703.4.5

FIGURE 703.3.10
HEIGHT OF RAISED CHARACTERS ABOVE FLOOR

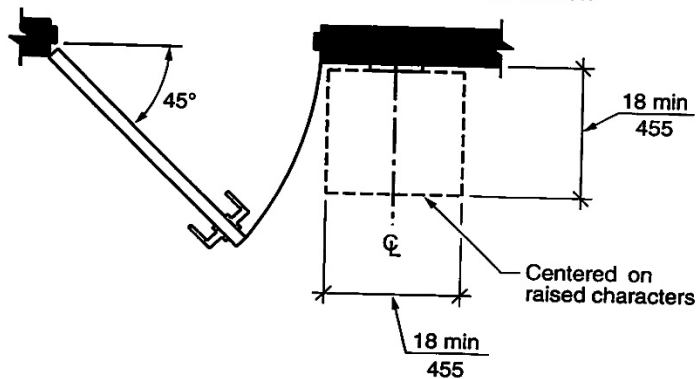


FIGURE 703.3.11
LOCATION OF SIGNS AT DOORS